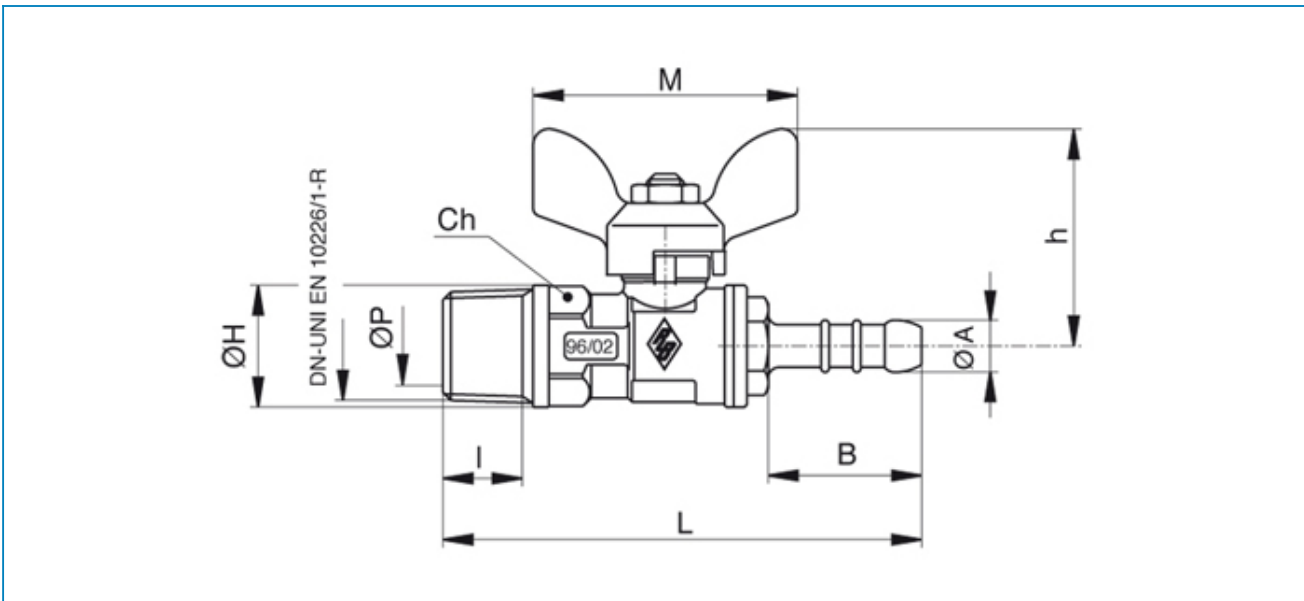




Serie **FIDO.SFER.**

Articolo **9081**

Ball valve for gas, male threaded and hose tail connection, with aluminium T-handle.



POS.	PART NAME	MATERIALE-MATERIALS MATERIAUX-WERKSTOFF- MATERIAL	N°P
1	BODY	OTTONE CW617N UNI EN 12465	1
2	BALL	OTTONE CW614N UNI EN 12464	1
3	STEM	OTTONE CW614N UNI EN 12464	1
4	PACKING GLAND	OTTONE CW614N UNI EN 12464	1
5	HOSE TAIL	OTTONE CW617N UNI EN 12465	1
6	T-HANDLE	ALLUMINIO EN-AC 46100 EN 1706	1
7	BALL SEAT	P.T.F.E	2
8	STEM SEAL/THRUST WASHER	P.T.F.E	2
9	O-RING	NBR	1
10	NUT	ACCIAIO CL 04	2

MISURA SIZE	DN	BOX	MASTER BOX	CODICE CODE	ØP	I	B	L	ØA	Ch	h	M	MOP	Kg
1/4" x 11	8	20	120	9081810000	7,5	11	22	79	10,8	20	42	50	5	0,14
3/8" x 8*	10	20	120	9081820000	10	11,5	29	86,5	9,8	20	42	50	5	0,15
3/8" x 13*	10	20	120	9081850000	10	11,5	44	101,5	14	20	42	50	5	0,16
1/2" x 8*	15	50	100	9081870000	10	15	29	90,5	9,8	20	42	50	5	0,15
1/2" x 13*	15	50	100	9081900000	10	15	44	105,5	14	20	42	50	5	0,17

Limiti di temperatura: -20°C +90°C - Temperature range: -20°C +90°C.

*Portagomma secondo norma UNI-CIG 7141-92 - Hose tail according to UNI-CIG 7141-92.