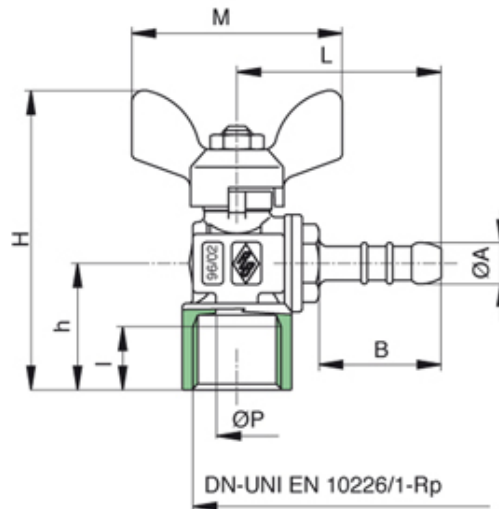




Serie **FIDO.SFER.**

Articolo **9084**

Angle ball valve for gas, female threaded and hose tail connection, with aluminium T-handle.



POS.	PART NAME	MATERIALE-MATERIALS MATERIAUX-WERKSTOFF- MATERIAL	N°P
1	BODY	OTTONE CW617N UNI EN 12465	1
2	BALL	OTTONE CW614N UNI EN 12464	1
3	STEM	OTTONE CW614N UNI EN 12464	1
4	PACKING GLAND	OTTONE CW614N UNI EN 12464	1
5	HOSE TAIL	OTTONE CW617N UNI EN 12465	1
6	T-HANDLE	ALLUMINIO EN-AC 46100 EN 1706	1
7	BALL SEAT	P.T.F.E	2
8	STEM SEAL/THRUST WASHER	P.T.F.E	2
9	O-RING	NBR	1
10	NUT	ACCIAIO CL 04	2

MISURA SIZE	BOX	MASTER BOX	CODICE CODE	ØP	L	H	I	ØA	B	h	M	MOP	Kg
1/2" x 8*	50	100	9084870000	10	48,5	71	15	9,8	29	30	50	5	0,15
1/2" x 13*	50	100	9084900000	10	63,5	71	15	14	44	30	50	5	0,15

Limiti di temperatura: -20°C +90°C - Temperature range: -20°C +90°C.

\*Portagomma secondo norma UNI-CIG 7141-92 - Hose tail according to UNI-CIG 7141-92.