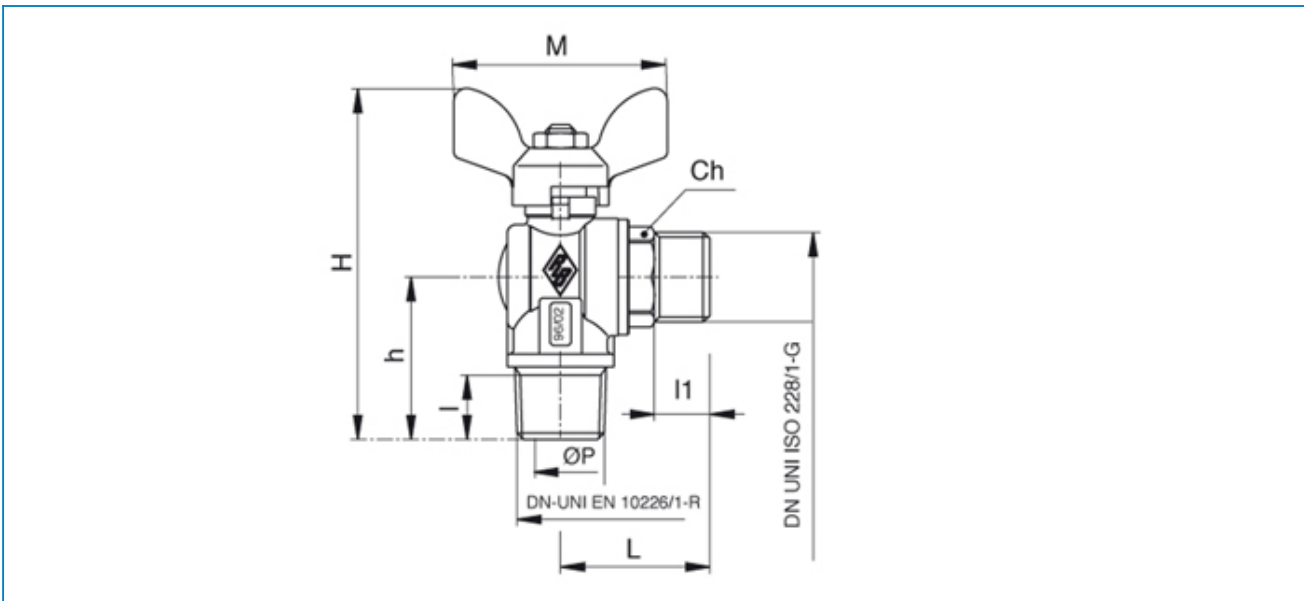




Serie **FIDO.SFER.**

Articolo **9087**

Angle ball valve for gas, male threaded and male connection for flexible metal hose acc. to UNI 9891 with aluminium T-handle.



POS.	PART NAME	MATERIALE-MATERIALS MATERIAUX-WERKSTOFF- MATERIAL	N°P
1	BODY	OTTONE CW617N UNI EN 12465	1
2	BALL	OTTONE CW614N UNI EN 12464	1
3	STEM	OTTONE CW614N UNI EN 12464	1
4	PACKING GLAND	OTTONE CW614N UNI EN 12464	1
5	HOSE TAIL	OTTONE CW617N UNI EN 12465	1
6	T-HANDLE	ALLUMINIO EN-AC 46100 EN 1706	1
7	BALL SEAT	P.T.F.E	2
8	STEM SEAL/THRUST WASHER	P.T.F.E	2
9	O-RING	NBR	1
10	NUT	ACCIAIO CL 04	2

MISURA SIZE	DN	BOX	MASTER BOX	CODICE CODE	ØP	I	II	L	H	h	Ch	M	MOP	Kg
1/2" x 1/2"	15	50	100	9087250000	12,5	15	13	35	82	38	22	50	5	0,20

Limiti di temperatura: -20°C +90°C - Temperature range: -20°C +90°C.